



Datasheet- Model: AD4242

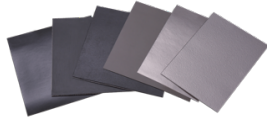
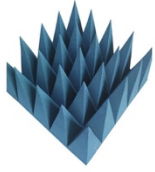
---



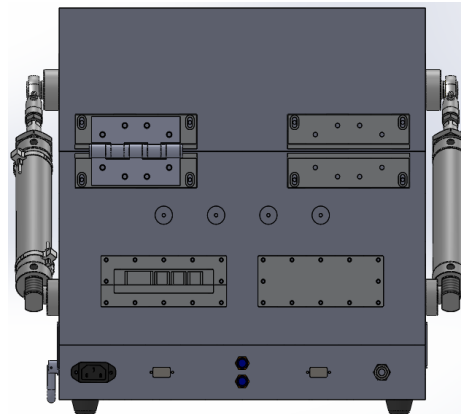
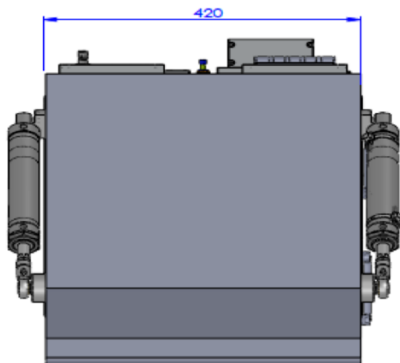
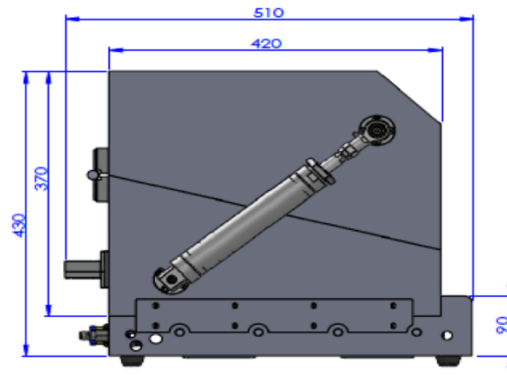
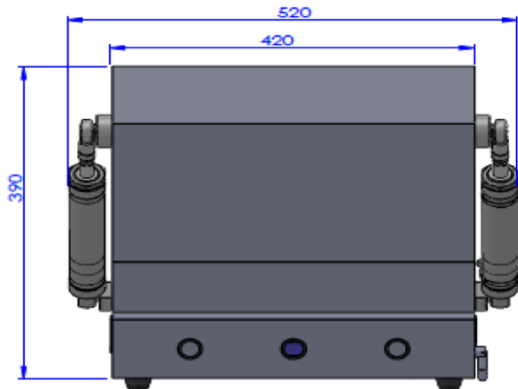
## Features

1. High isolation: From 1~6 GHz, -80dB UP
2. Customized I/O interfaces
3. Self-designed and customized filters
4. Safety: Anti-pinched sensor on every shielding box.

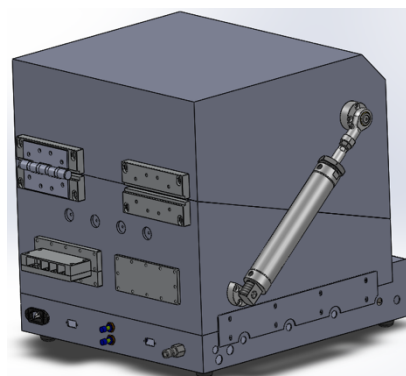
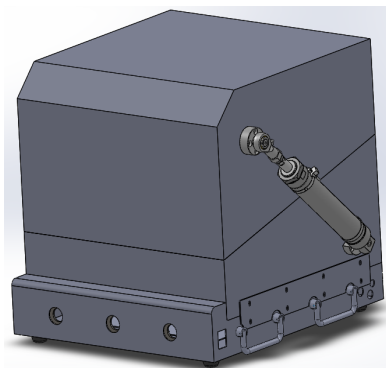
## Specification

| Terms                     | Description  | Remarks  |
|---------------------------|--|--|
| Outside dimension (W*D*H) | 520*510*390 mm   |  |
| Inner dimension (W*D*H)   | 404*404*354 mm   |  |
| Working dimension (W*D*H) | 400*400*350 mm   |  |
| Structure type            | Hatchback  |  |
| Operation mode            | Pneumatic  |  |
| Surface                   | Baked white paint  |  |
| Material                  | Aluminum T6-6061<br>Thickness: 8mm   |  |
| Absorbing material        | EMI absorber sheets<br>(2mm)  | Optional:<br>Pyramid absorbing<br>foam  |
| Environment               | Temperature: -10°C<br>~50°C<br><br>Humidity(%RH):<br>20~75   |  |
| Isolation                 | 1-3GHz: 85dB<br><br>3-6GHz: 80dB   |  |

## Dimensions



## Outer appearance (3D illustration)



## Option for Customization

## Customized I/O Interface

### STANDARD I/O INTERFACE

4 IN 1: RS232 or VGA + USB 2.0 + DC + RJ45


5 in 1: USB, DC, RJ45, AUDIO, PS2, AV

Pick 5 interfaces



### CUSTOMIZED I/O INTERFACE

| I/O Interface   | Description   | Isolation   |
|---|---|---|
|  | DC filter<br>φ2.1 / Max Load DC 25V, 2A / Female<br>( Please inform us in advanced if customer wants φ2.5 DC Jack ) | Sub 1Ghz > 70dB<br>1~3GHz > 80dB<br>3~6GHz > 85dB |
|  | AC filter (male to male)<br>110/220V-10A  | Sub 1Ghz > 70dB<br>1~3GHz > 80dB<br>3~6GHz > 85dB |
|  | USB 2.0 filter<br>USB 1.1/USB 2.0 /480Mbps<br>Max load DC 5V, 200mA / Female  | Sub 1Ghz > 50dB<br>1~3GHz > 80dB<br>3~6GHz > 85dB |
|  | Dual-layer USB 2.0 filter<br>USB 1.1/USB 2.0 /480Mbps<br>Max load DC 5V, 200mA / Female                             | Sub 1Ghz > 50dB<br>1~3GHz > 80dB<br>3~6GHz > 85dB |
|  | USB 3.0 filter  | Sub 1Ghz > 50dB<br>1~3GHz > 80dB<br>3~6GHz > 85dB |

|   |   |   |
|---|---|---|
|    | <p>VGA filter<br/>15-pin / Female</p>   | <p>Sub 1Ghz &gt; 70dB<br/>1~3GHz &gt; 80dB<br/>3~6GHz &gt; 85dB</p> |
|    | <p>DB9 filter<br/>D - Sub 9 pin/ 921,600 bps<br/>Max load DC 25V, 200mA</p>   | <p>Sub 1Ghz &gt; 70dB<br/>1~3GHz &gt; 80dB<br/>3~6GHz &gt; 85dB</p> |
|    | <p>DB25 filter<br/>D-Sub. 25 PIN<br/>Support EIA232C protocol<br/>Max Load DC 15V,100mA / Male</p>  | <p>Sub 1Ghz &gt; 70dB<br/>1~3GHz &gt; 80dB<br/>3~6GHz &gt; 85dB</p> |
|   | <p>RJ45 filter<br/>10/100/1000Mbps based Ethernet<br/>Max load DC 5V, 200mA, Female</p>   | <p>Sub 1Ghz &gt; 50dB<br/>1~3GHz &gt; 80dB<br/>3~6GHz &gt; 85dB</p> |
|  | <p>Audio filter<br/>Stereo audio/ Female</p>  | <p>Sub 1Ghz &gt; 70dB<br/>1~3GHz &gt; 80dB<br/>3~6GHz &gt; 85dB</p> |
|  | <p>PS2 filter<br/>PS2 Keyboard/ PS2 Mouse<br/>PS2 barcode scanner<br/>Max Load DC 15V, 100mA/ male</p>  | <p>Sub 1Ghz &gt; 70dB<br/>1~3GHz &gt; 80dB<br/>3~6GHz &gt; 85dB</p> |
|  | <p>SMA<br/>Length: 22mm<br/>Impedance:50.0 Ohm(±8%) Frequency<br/>Range:0-6GHz Insertion loss:0.2dB<br/>Maximum Return loss:28dB Minimum<br/>VSWR:1.09Maximum</p> | <p>Sub 1Ghz &gt; 70dB<br/>1~3GHz &gt; 80dB<br/>3~6GHz &gt; 85dB</p> |
|  | <p>AIR<br/>Ø6</p>   | <p>Sub 1Ghz &gt; 70dB<br/>1~3GHz &gt; 80dB<br/>3~6GHz &gt; 85dB</p> |
|  | <p>Cooling Fan</p>  | <p>Sub 1Ghz &gt; 70dB<br/>1~3GHz &gt; 80dB<br/>3~6GHz &gt; 85dB</p> |



## Contact information

### Charter Leader Precision Electronics Group

#### *REVAYA TECHNOLOGY (TAIWAN)*

---

Tel: +886-2-2797-0115 Website: [www.revaya.com.tw](http://www.revaya.com.tw)

Email: [jason\\_kao@clpe.com.tw](mailto:jason_kao@clpe.com.tw)

Address: 5F.-4, Aly. 23, Ln. 91, Sec. 1, Neihu Rd., Neihu Dist., Taipei City 114, Taiwan (R.O.C.)

#### *SUZHOU CHARTER LEADER PRECISION ELECTRONICS (CHINA)*

---

Tel: +86 512-66790608 Website: [www.clpe.com.cn](http://www.clpe.com.cn)

Email: [haibo@clpe.com.cn](mailto:haibo@clpe.com.cn)

Address: 5F,NO.625,12-4 Buildings, BIN-HE Rd New District, SuZhou China.

#### *DONGGUAN CHARTER LEADER PRECISION ELECTRONICS (CHINA)*

---

Tel: +86 769-85098277 Website: <http://www.dgtclp.com/index.html>

Address: 2F ., Building I, Plainvim International Industrial Park, No.76, Zhenan East Rd., Dongguan City, Guangdong province, China

#### *INNOVSYS TECHNOLOIES PTE.LTD (SINGAPORE)*

---

Tel: +65 63891700 Website: [www.istpl.com](http://www.istpl.com)

Address: 111 North Bridge Road #21-01 Peninsula Plaa Singapore 179098

Email: [khong@itspl.com](mailto:khong@itspl.com)