



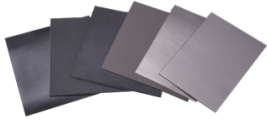
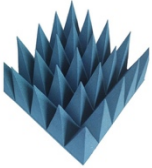
Datasheet- Model: HD250



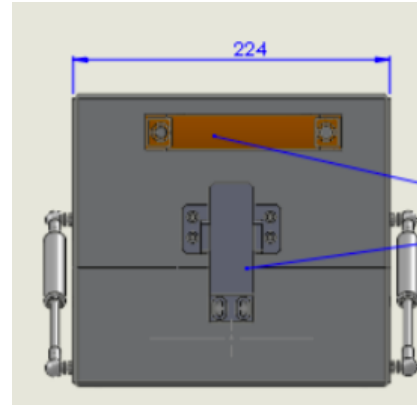
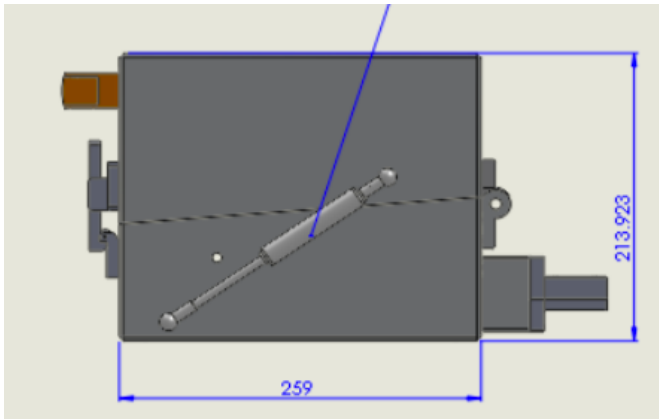
Features

1. High isolation: From 1~6 GHz, -80dB UP
2. Customized I/O interfaces
3. Self-designed and customized filters
4. Safety: Anti-pinched sensor on every shielding box.

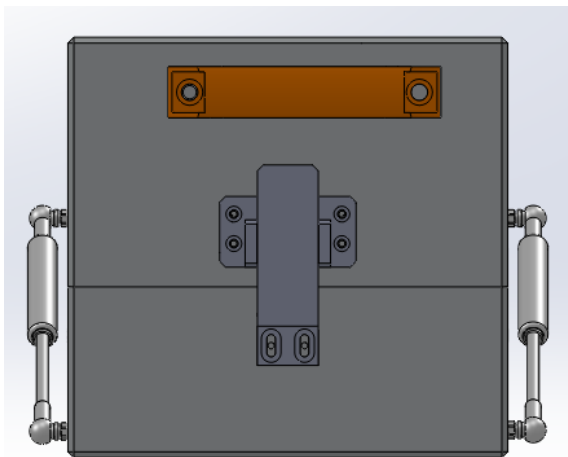
Specification

Terms	Description	Remarks
Outside dimension (W*D*H)	224*259*214 mm	
Inner dimension (W*D*H)	204*239*194 mm	
Working dimension (W*D*H)	200*235*190 mm	
Structure type	Drawer	
Operation mode	Pneumatic	
Surface	Baked paint	
Material	Aluminum T6-6061 Thickness: 10mm	
Absorbing material	EMI absorber sheets (2mm) 	Optional: Pyramid absorbing foam 
Environment	Temperature: -10°C ~50°C Humidity(%RH): 20~75	
Isolation	1-3GHz: 90dB 3-6GHz: 85dB	

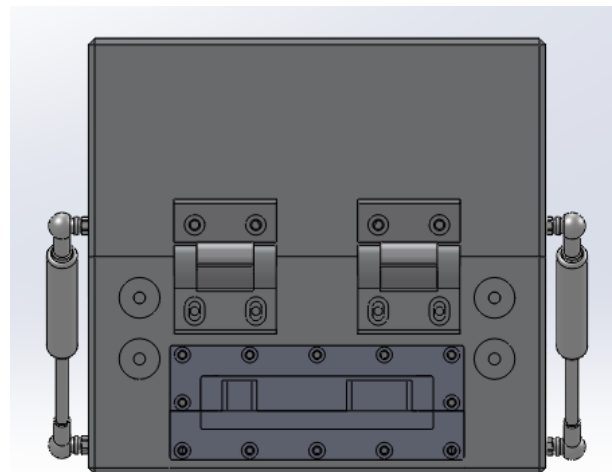
Dimensions



Outer appearance (3D illustration)

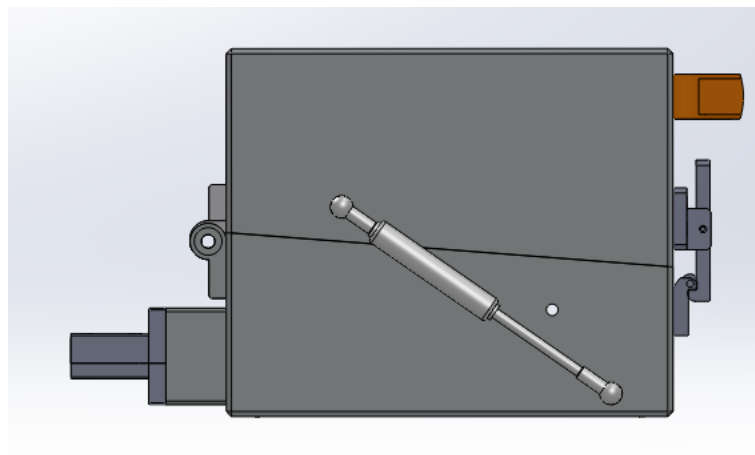


Front view



Back view

Side view



Option for Customization

Customized I/O Interface

STANDARD I/O INTERFACE

4 IN 1: RS232 or VGA + USB 2.0 + DC + RJ45

5 in 1: USB, DC, RJ45, AUDIO, PS2, AV

Pick 5 interfaces



CUSTOMIZED I/O INTERFACE

I/O Interface	Description	Isolation
	DC filter φ2.1/ Max Load DC 25V, 2A / Female (Please inform us in advanced if customer wants φ2.5 DC Jack)	Sub 1Ghz > 70dB 1~3GHz > 80dB 3~6GHz > 85dB
	AC filter (male to male) 110/220V-10A	Sub 1Ghz > 70dB 1~3GHz > 80dB 3~6GHz > 85dB
	USB 2.0 filter USB 1.1/USB 2.0 /480Mbps Max load DC 5V, 200mA / Female	Sub 1Ghz > 50dB 1~3GHz > 80dB 3~6GHz > 85dB
	Dual-layer USB 2.0 filter USB 1.1/USB 2.0 /480Mbps Max load DC 5V, 200mA / Female	Sub 1Ghz > 50dB 1~3GHz > 80dB 3~6GHz > 85dB
	USB 3.0 filter	Sub 1Ghz > 50dB 1~3GHz > 80dB 3~6GHz > 85dB

	<p>VGA filter 15-pin / Female</p>	<p>Sub 1Ghz > 70dB 1~3GHz > 80dB 3~6GHz > 85dB</p>
	<p>DB9 filter D - Sub 9 pin/ 921,600 bps Max load DC 25V, 200mA</p>	<p>Sub 1Ghz > 70dB 1~3GHz > 80dB 3~6GHz > 85dB</p>
	<p>DB25 filter D-Sub. 25 PIN Support EIA232C protocol Max Load DC 15V,100mA / Male</p>	<p>Sub 1Ghz > 70dB 1~3GHz > 80dB 3~6GHz > 85dB</p>
	<p>RJ45 filter 10/100/1000Mbps based Ethernet Max load DC 5V, 200mA, Female</p>	<p>Sub 1Ghz > 50dB 1~3GHz > 80dB 3~6GHz > 85dB</p>
	<p>Audio filter Stereo audio/ Female</p>	<p>Sub 1Ghz > 70dB 1~3GHz > 80dB 3~6GHz > 85dB</p>
	<p>PS2 filter PS2 Keyboard/ PS2 Mouse PS2 barcode scanner Max Load DC 15V, 100mA/ male</p>	<p>Sub 1Ghz > 70dB 1~3GHz > 80dB 3~6GHz > 85dB</p>
	<p>SMA Length: 22mm Impedance:50.0 Ohm(±8%) Frequency Range:0-6GHz Insertion loss:0.2dB Maximum Return loss:28dB Minimum VSWR:1.09Maximum</p>	<p>Sub 1Ghz > 70dB 1~3GHz > 80dB 3~6GHz > 85dB</p>
	<p>AIR Ø6</p>	<p>Sub 1Ghz > 70dB 1~3GHz > 80dB 3~6GHz > 85dB</p>
	<p>Cooling Fan</p>	<p>Sub 1Ghz > 70dB 1~3GHz > 80dB 3~6GHz > 85dB</p>



Contact information

Charter Leader Precision Electronics Group

REVAYA TECHNOLOGY (TAIWAN)

Tel: +886-2-2797-0115 Website: www.revaya.com.tw

Email: jason_kao@clpe.com.tw

Address: 5F.-4, Aly. 23, Ln. 91, Sec. 1, Neihu Rd., Neihu Dist., Taipei City 114, Taiwan (R.O.C.)

SUZHOU CHARTER LEADER PRECISION ELECTRONICS (CHINA)

Tel: +86 512-66790608 Website: www.clpe.com.cn

Email: haibo@clpe.com.cn

Address: 5F,NO.625,12-4 Buildings, BIN-HE Rd New District, SuZhou China.

DONGGUAN CHARTER LEADER PRECISION ELECTRONICS (CHINA)

Tel: +86 769-85098277 Website: <http://www.dgtclp.com/index.html>

Address: 2F ., Building I, Plainvim International Industrial Park, No.76, Zhenan East Rd., Dongguan City, Guangdon province, China

INNOVSYS TECHNOLOIES PTE.LTD (SINGAPORE)

Tel: +65 63891700 Website: www.istpl.com

Address: 111 North Bridge Road #21-01 Peninsula Plaa Singapore 179098

Email: khong@itspl.com