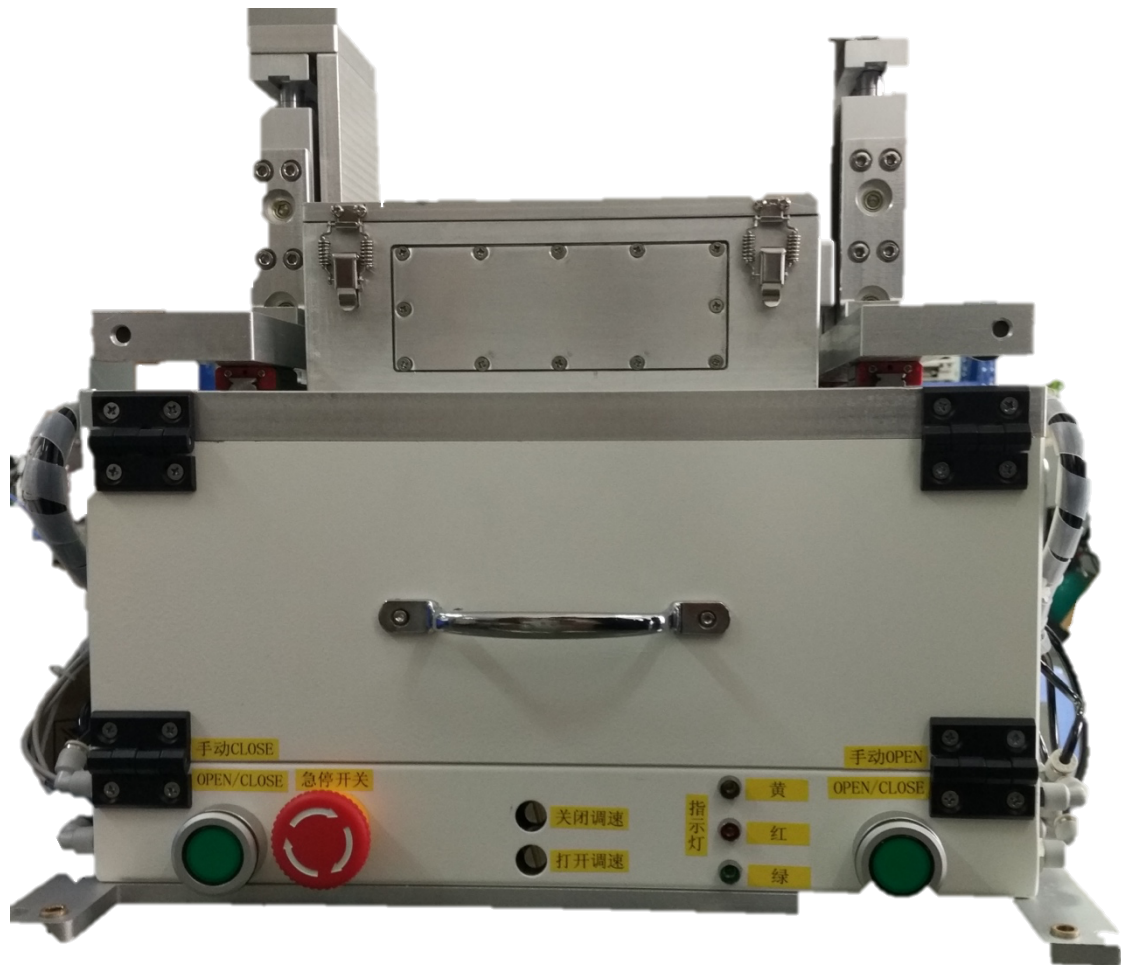




Datasheet- Model: HV3858

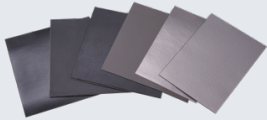
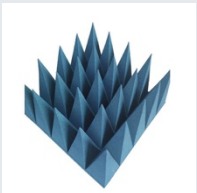
---



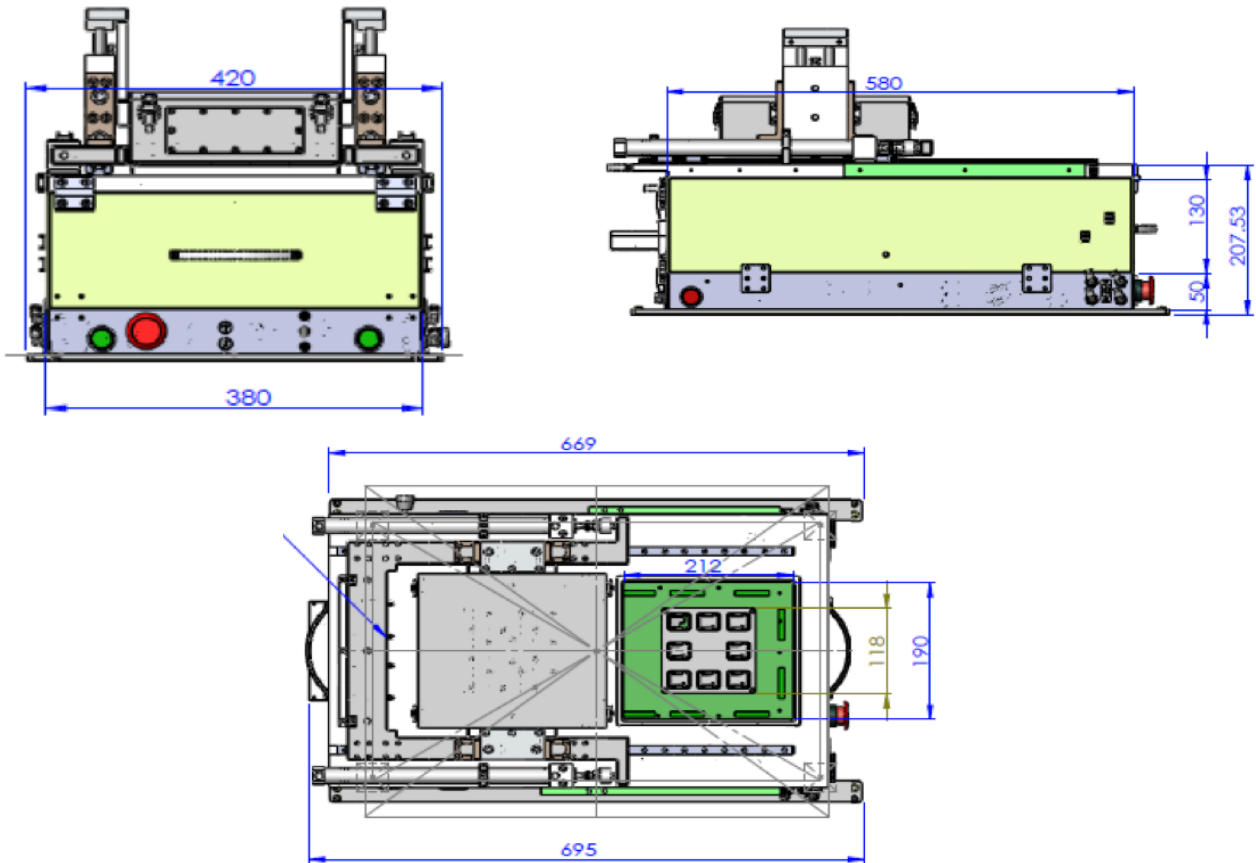
## Features

1. High isolation: From 1~6 GHz, -80dB UP
2. Customizable I/O interfaces
3. Self-designed filters
4. With sensors which sense the interference and prevent hands being pinched

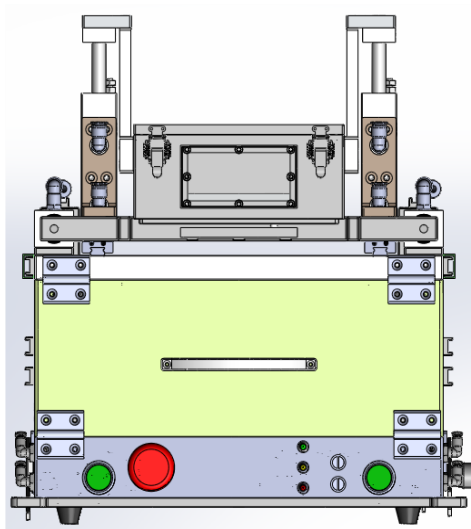
## Specification

Terms	Description	Remarks
Outer dimension (W*D*H)	420*695*420 mm	
Inner dimension (W*D*H)	364*564*134 mm	
Working dimension (W*D*H)	360*560*132 mm	
Structure type	Horizontal slide rail	
Dimension of opening(W*D)	276*276 mm	
Operation mode	Pneumatic or manual	
Surface	Baked paint	
Material	Aluminum T6-6061 Thickness: 8mm	
Absorbing material	EMI absorber sheets (2mm) 	Optional: Pyramid absorbing foam 
Environment	Temperature: -10°C ~50°C Humidity(%RH): 20~75	
Isolation	1-3GHz: 85dB 3-6GHz: 80dB	

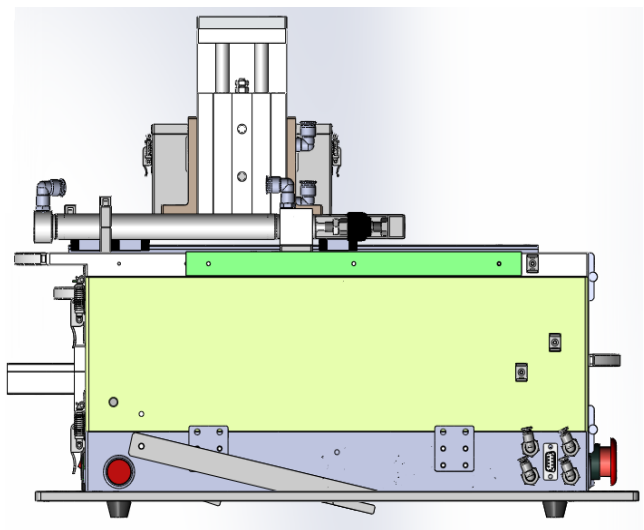
## Dimensions



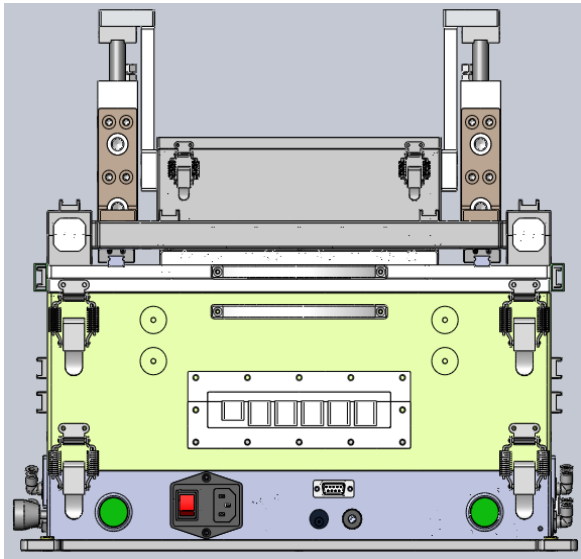
## Outer appearance (3D illustration)



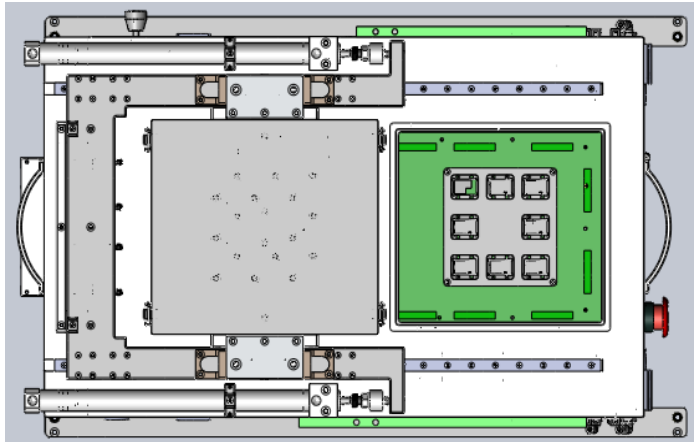
Front view



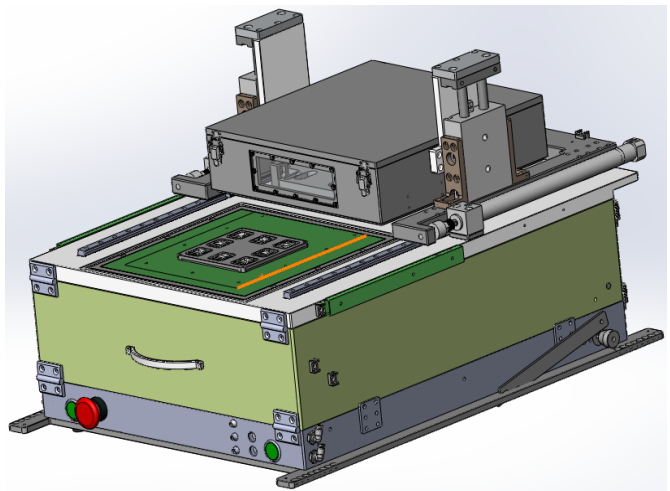
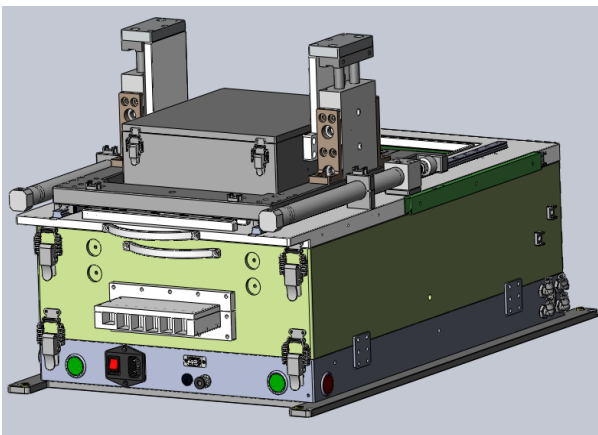
Side view



Back view



Top view



## Option for Customization

## Customized I/O Interface

### STANDARD I/O INTERFACE

4 IN 1: RS232 or VGA + USB 2.0 + DC + RJ45

5 in 1: USB, DC, RJ45, AUDIO, PS2, AV

Pick 5 interfaces



### CUSTOMIZED I/O INTERFACE

I/O Interface	Description	Isolation
	DC filter φ2.1/ Max Load DC 25V, 2A / Female ( Please inform us in advanced if customer wants φ2.5 DC Jack )	Sub 1Ghz > 70dB 1~3GHz > 80dB 3~6GHz > 85dB
	AC filter (male to male) 110/220V-10A	Sub 1Ghz > 70dB 1~3GHz > 80dB 3~6GHz > 85dB
	USB 2.0 filter USB 1.1/USB 2.0 /480Mbps Max load DC 5V, 200mA / Female	Sub 1Ghz > 50dB 1~3GHz > 80dB 3~6GHz > 85dB
	Dual-layer USB 2.0 filter USB 1.1/USB 2.0 /480Mbps Max load DC 5V, 200mA / Female	Sub 1Ghz > 50dB 1~3GHz > 80dB 3~6GHz > 85dB
	USB 3.0 filter	Sub 1Ghz > 50dB 1~3GHz > 80dB 3~6GHz > 85dB

	<p>VGA filter 15-pin / Female</p>	<p>Sub 1Ghz &gt; 70dB 1~3GHz &gt; 80dB 3~6GHz &gt; 85dB</p>
	<p>DB9 filter D - Sub 9 pin/ 921,600 bps Max load DC 25V, 200mA</p>	<p>Sub 1Ghz &gt; 70dB 1~3GHz &gt; 80dB 3~6GHz &gt; 85dB</p>
	<p>DB25 filter D-Sub. 25 PIN Support EIA232C protocol Max Load DC 15V,100mA / Male</p>	<p>Sub 1Ghz &gt; 70dB 1~3GHz &gt; 80dB 3~6GHz &gt; 85dB</p>
	<p>RJ45 filter 10/100/1000Mbps based Ethernet Max load DC 5V, 200mA, Female</p>	<p>Sub 1Ghz &gt; 50dB 1~3GHz &gt; 80dB 3~6GHz &gt; 85dB</p>
	<p>Audio filter Stereo audio/ Female</p>	<p>Sub 1Ghz &gt; 70dB 1~3GHz &gt; 80dB 3~6GHz &gt; 85dB</p>
	<p>PS2 filter PS2 Keyboard/ PS2 Mouse PS2 barcode scanner Max Load DC 15V, 100mA/ male</p>	<p>Sub 1Ghz &gt; 70dB 1~3GHz &gt; 80dB 3~6GHz &gt; 85dB</p>
	<p>SMA Length: 22mm Impedance:50.0 Ohm(±8%) Frequency Range:0-6GHz Insertion loss:0.2dB Maximum Return loss:28dB Minimum VSWR:1.09Maximum</p>	<p>Sub 1Ghz &gt; 70dB 1~3GHz &gt; 80dB 3~6GHz &gt; 85dB</p>
	<p>AIR Ø6</p>	<p>Sub 1Ghz &gt; 70dB 1~3GHz &gt; 80dB 3~6GHz &gt; 85dB</p>
	<p>Cooling Fan</p>	<p>Sub 1Ghz &gt; 70dB 1~3GHz &gt; 80dB 3~6GHz &gt; 85dB</p>



## Contact information

### Charter Leader Precision Electronics Group

#### *REVAYA TECHNOLOGY (TAIWAN)*

---

Tel: +886-2-2797-0115 Website: [www.revaya.com.tw](http://www.revaya.com.tw)

Email: [jason\\_kao@clpe.com.tw](mailto:jason_kao@clpe.com.tw)

Address: 5F.-4, Aly. 23, Ln. 91, Sec. 1, Neihu Rd., Neihu Dist., Taipei City 114, Taiwan (R.O.C.)

#### *SUZHOU CHARTER LEADER PRECISION ELECTRONICS (CHINA)*

---

Tel: +86 512-66790608 Website: [www.clpe.com.cn](http://www.clpe.com.cn)

Email: [haibo@clpe.com.cn](mailto:haibo@clpe.com.cn)

Address: 5F,NO.625,12-4 Buildings, BIN-HE Rd New District, SuZhou China.

#### *DONGGUAN CHARTER LEADER PRECISION ELECTRONICS (CHINA)*

---

Tel: +86 769-85098277 Website: <http://www.dgtclp.com/index.html>

Address: 2F ., Building I, Plainvim International Industrial Park, No.76, Zhenan East Rd., Dongguan City, Guangdon province, China

#### *INNOVSYS TECHNOLOIES PTE.LTD (SINGAPORE)*

---

Tel: +65 63891700 Website: [www.istpl.com](http://www.istpl.com)

Address: 111 North Bridge Road #21-01 Peninsula Plaa Singapore 179098

Email: [khong@itspl.com](mailto:khong@itspl.com)